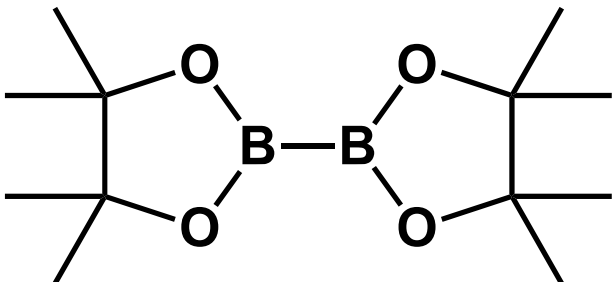


Bis(pinacolato)diboron

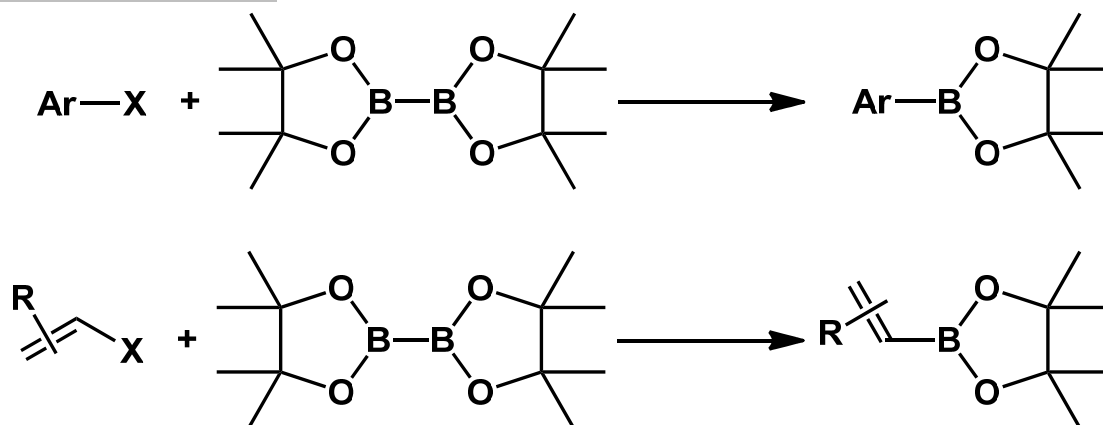


500g Big package

Product List

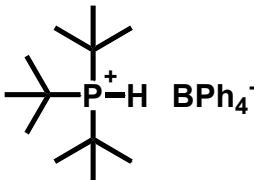
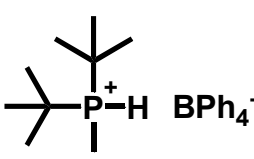
Product name	Product code	Package
Bis(pinacolato)diboron C ₁₂ H ₂₄ B ₂ O ₄ FW253.94 [73183-34-3]	04234-65	1g
	04234-55	5g
	04234-35	25g
	04234-25	100g
	04234-05	500g

Example ¹⁾



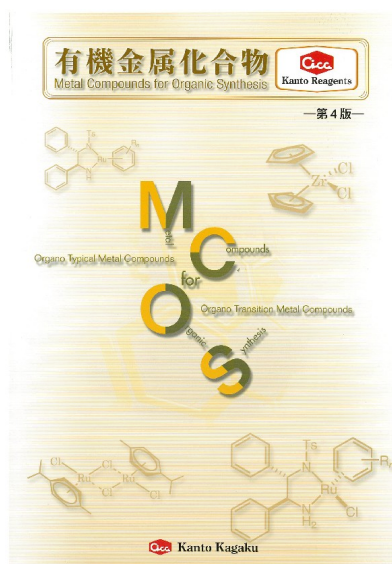
1) Ishiyama et al, Journal of Synthetic Organic Chemistry, Japan **1999**, 57, 503.

Relative Product

Product name	Product code	Size
Tri-<i>tert</i>-butylphosphonium tetraphenylborate $C_{36}H_{48}BP$ FW522.55 [131322-08-2] <div style="text-align: center;">  </div>	41128-45	10g
Di-<i>tert</i>-butylmethylphosphonium tetraphenylborate $C_{33}H_{42}BP$ FW480.47 <div style="text-align: center;">  </div>	41129-45	10g

Relative Pamphlet

- ◇ Boronic acid
- ◇ Boronic ester
- ◇ Palladium catalyst
- ◇ etc



Cica KANTO CHEMICAL CO., INC.

REAGENT DIVISION

East Muromachi Mitsui BLDG, 2-1, Nihonbashi Muromachi 2-chome,
Chuo-ku, Tokyo, 103-0022 JAPAN

Telephone +81-3-6214-1092

Telefax +81-3-3241-1053

<http://www.kanto.co.jp> E-mail: reexp-info@gms.kanto.co.jp